

Data Sheet for Harte 105 (Single-head) Street Lamp



LANTERN SPECIFICATIONS

Materials: Manufactured in 2mm spun aluminium and painted black.

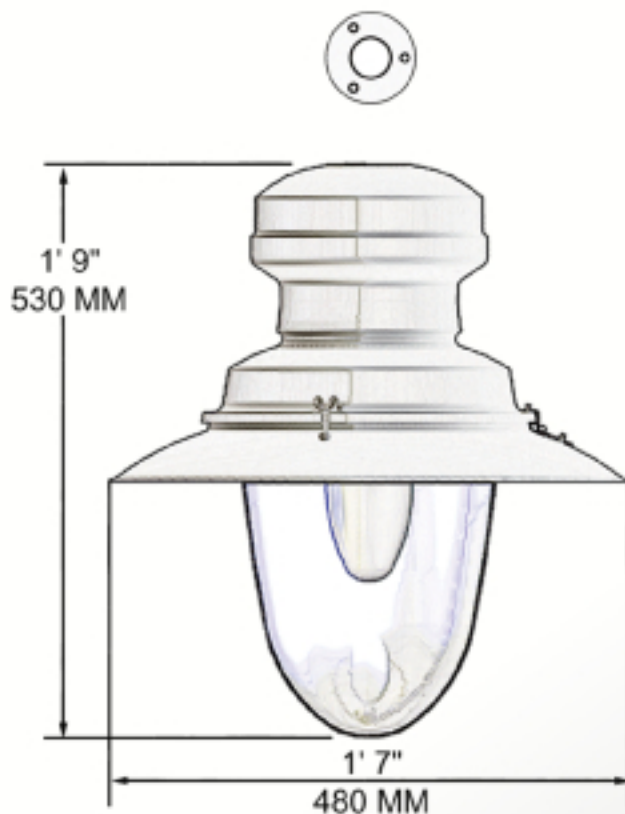
Lamp holder: E 27 Screw-in

Classification: IP 65

Gear: LED Module and other options available.

Glass Type: One-piece unbreakable polycarbonate.

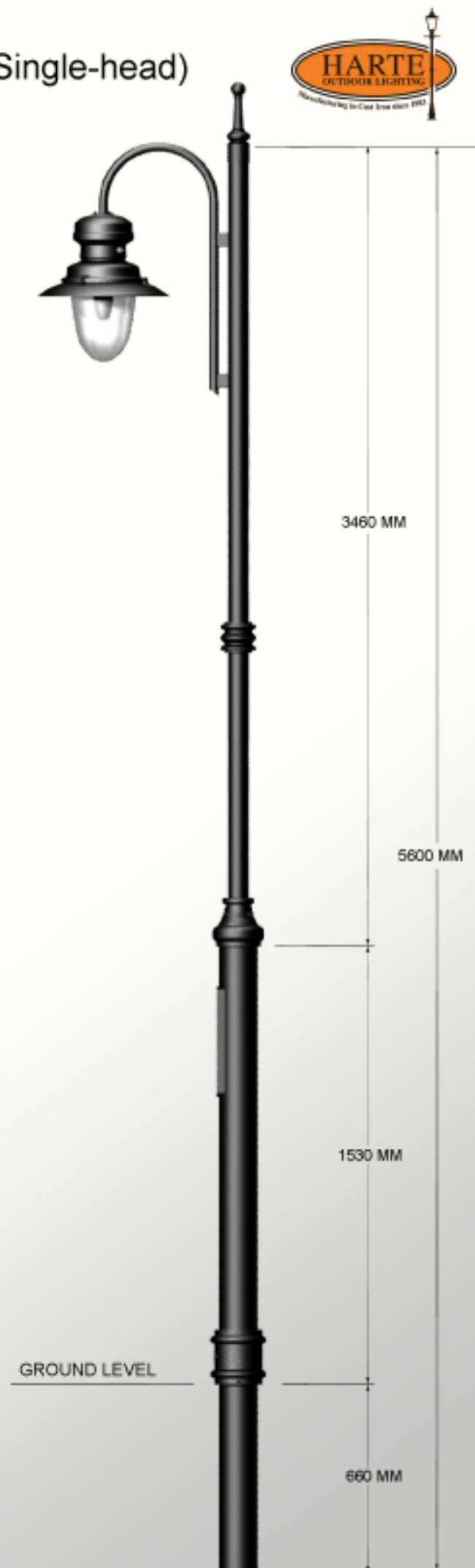
Weight: 4 KG



POLE SPECIFICATION

Materials: ESB approved galvanised mild steel pole with a cast iron embellishment kit.

Height: 5 mtr & 6 mtr column heights.



PLEASE NOTE: Should these lanterns be connected to the public lighting system, it is advisable to check their suitability first with the energy supplier or the local authority.